

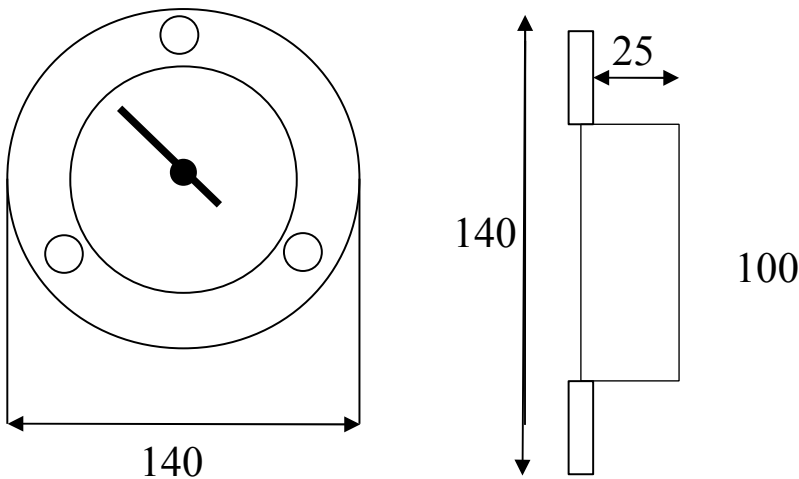


## 4" Thermometer

Perolo ND100 glycerin thermometer is designed to be fitted on tank containers, IBC's or road tankers in order to measure Temperature.



### Specifications



Part# 70 21 01 00 02

- 304 Stainless steel case
- Stainless steel front flange
- Dual Temperature Celsius & Fahrenheit.
- Glycerin filled
- 4", ND 100
- Back connection
- Temperature sensor
- -40°C to +160°C or -40°F + 320°F
- Brass movement
- Wire length : 2m
- Front flange
- Roll ring