

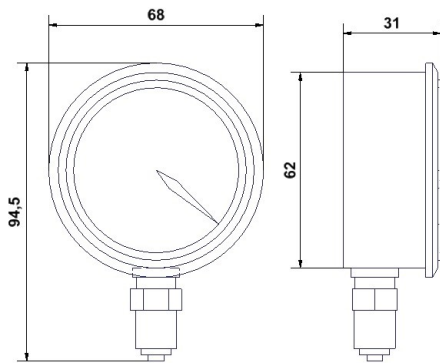
## Pressure Gauges

### ND63 glycerin filled dial Pressure Gauges

Perolo ND63 glycerin filled dial pressure gauges are designed to be fitted on tank containers, IBC's or road tankers in order to measure and indicate existing pressure.



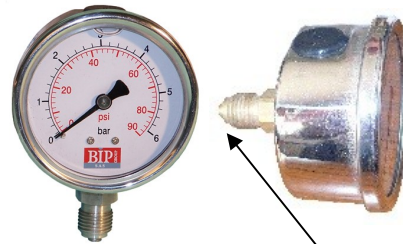
### Specifications



- Stainless steel body
- Dual pressure scale, bar & psi
- Glycerin filled
- Aluminum pointer
- Nominal external diameter 63mm / 2.5"
- Accuracy class 2.5
- Pressure connection 1/4" BSP

### Options

- 1/4" NPT pressure connection
- Other pressure scales
- Stainless steel or brass internal parts depending on model
- Pressure range depending on application
- Bottom or back pressure connection



Bottom connection      Back connection

Pressure	Specifications	Part#
0-2.5 Bar (0-36 Psi)	Stainless steel case brass Internals & Bottom connection	70 21 02 00 26
0-6 Bar (0-90 Psi)	Full stainless steel Bottom Connection	70 18 06 00 95
	Stainless steel case brass Internals & Bottom connection	70 21 02 00 22
0-10 Bar (0-145 Psi)	Full stainless steel Bottom Connection	70 21 02 00 24
	Stainless steel case brass Internals & Bottom connection	70 21 02 00 29
0-16 Bar (0-232 Psi)	Full stainless steel	70 21 02 00 34