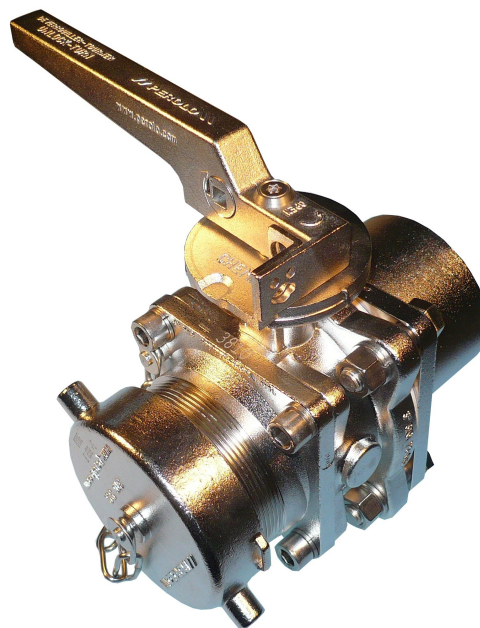


3" CHEMFLY™ BOTTOM DISCHARGE

Series VLY 3" Butterfly valves bottom discharge

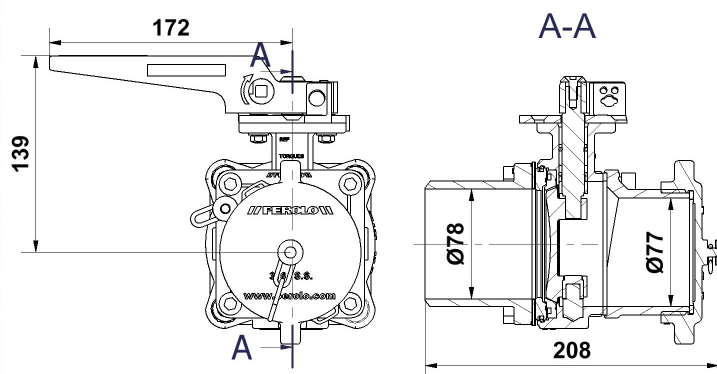
Perolo 3" CHEMFLY™ bottom discharge is designed to suit chemical or foodstuff road tankers.

This bottom discharge includes a 3" CHEMFLY™ butterfly valve, a 3" BSP threaded outlet and a 3" welding neck.



Bottom Discharge

Specifications



- Nominal diameter : 3" (78mm)
- Weight : 5.2 kg.
- Container flange : 3" - 4x14xPCD130mm
- Outlet : 3" BSP
- MAWP : 6 Bar
- Test pressure : 6.75 Bar

Features

- 316L/1.4404 Stainless Steel
- Compact design
- PTFE Gaskets
- Opening torque 2.5daN.m
- Eccentric outlet facilitates full self draining
- Easy maintenance and cleaning
- Locking handle

Options

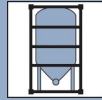
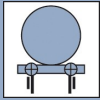
- Other tank side drilling
- Venting ports 3/8" BSP or 3/8" NPT or 1/2 " BSP
- Short outlet without thread, Long outlet 3" BSP or 3"NPT
- 3" BSP or 3" NPT cap

Approval & Certifications

- Comply with ADR 2009
- Approved by Bureau Veritas.
- Comply with EN 14432.

Accessories

- 3" CHEMFLY™ butterfly valve. Part#LY311H.
- 3" BSP Short Outlet . Part#17 12 09 70 00.
- 3" BSP Long Outlet . Part#17 12 09 71 00.
- 3" BSP cap . Part#12 85 59 00 00.



3" CHEMFLY™ BOTTOM DISCHARGE

Series VLY 3" Butterfly valves bottom discharge

Codification

1. Base code of your 3" CHEMFLY™ Bottom Discharge

VLY3 ? ? ? ? ? ? ?

2. Inlet flange drilling
- 4x14xPCD130mm

1

3. Outlet flange drilling
- 4xM10xPCD120mm

1

4. Venting ports
- None
- 1x 3/8" NPT
- 1x 3/8" BSP
- 2x 3/8" NPT
- 2x 3/8" BSP
- 1 x 1/2" BSP

0 }
1 }
2 }
3 }
4 }
H }

5. Welding inlet
- 3"

1

6. Discharge outlet length
- Short outlet (60mm)
- Long outlet (110mm)

1 }
2 }

7. Outlet thread
- Without thread
- 3" BSP
- 3" NPT

0 }
1 }
2 }

8. Dust cap
- None
- 3" BSP cap
- 3" NPT cap

0 }
1 }
2 }

Final code of your 3" CHEMFLY™ Bottom discharge

VLY3 ? ? ? ? ? ? ?

STANDARD PART#

VLY3 1 1 H 1 1 1 1

Bottom Discharge