

2" YAK VX™ Safety Relief Valve

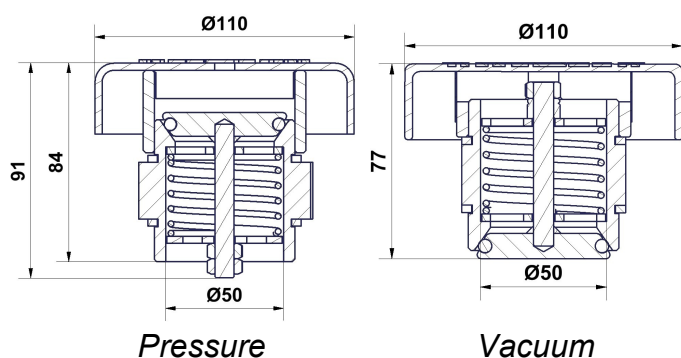
Series VXS5 Pressure OR Vacuum Relief Valves

The YAK VX™ 2" safety relief valve is designed to protect tanks against accidental over-pressure or excessive vacuum.

Made of 316L/1.4404 stainless steel, the YAK VX™ 2" safety relief valve is applicable to road tankers and small containers dedicated to transporting or storing chemicals and liquid foodstuff.

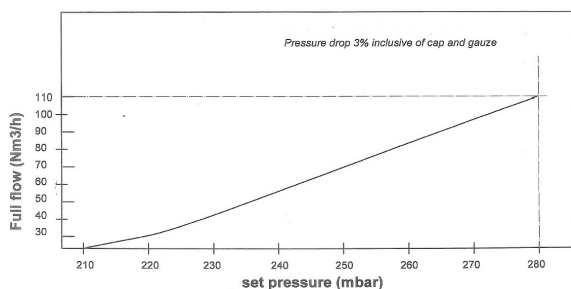


Specifications

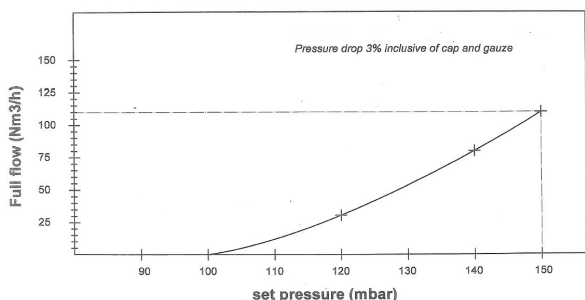


- Nominal diameter : 50mm (2")
- Maximum Weight : 1.5 kg
- Connection: 2" BSP or NPT
- Standard pressure settings : 2,67 Bar
- Standard vacuum settings : from 20 to 130 mBar
- Working temperature : -40°C +150°C

Flow rates



2" vacuum valve flow performance for 210 mbar calibration adjusting



2" vacuum valve flow performance for 100 mbar calibration adjusting

Features

- Full 316L/1.4404 stainless steel construction
- Pressure OR Vacuum
- Compact design
- High flow rates
- Comes with test button

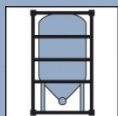
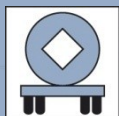
Conformity & Certifications

- Comply with ADR 2008

Options & Accessories

- 304L, 904L, carbon, aluminum or brass Construction
 - NPT threaded connection
 - Gauze filter
 - FEP, Silicon, Nitrile, Viton, EPDM, food and high-temp poppet O-ring
 - PTFE, Perbunan/PTFE and Composite/PTFE setting gasket
 - Adaptor flange 2" BSP, drilling 4x18xPCD125
- Part # 12 92 25 00 00





2" YAK VX™ Safety Relief Valve

Series VXS5 Pressure OR Vacuum Relief Valves

Codification

1- Base code of your YAK VX™ 2" SRV

VXS5 ?? ? ?? ? ? ? ?

2- Connection

- 2" BSP male
- 1.5" BSP male
- 2" NPT male
- 1.5" NPT male

BF
BR
NF
NR



3. Pressure mode

- Pressure only
- Vacuum only

P
V



4. Pressure setting

- 0.21 bar
- 0.20 bar
- 0.10 bar
- 0.05 bar
- 0.03 bar

Other pressure settings on request

21
20
10
05
03



5. Poppet O-ring

- FEP/SILICON
- VITON
- Nitrile
- FEP/VITON
- Food
- Silicon

F
V
N
B
A
S



6. Setting gasket

- PTFE
- Perbunan/PTFE
- Composite/PTFE

Z
P
C



7. Cover lid

- Without cover lid
- With cover lid
- With cover lid and test button

S
C
P



8. Gauze filter

- Without
- With

0
G



Final code of your YAK VX™ 2" SRV

VXS5 • • • • • • •

STANDARD PART#

VXS5 BFF V 05 F Z P G

Safety Relief Valve