

1 1/2" YAK VX™ Dual Safety Relief Valve

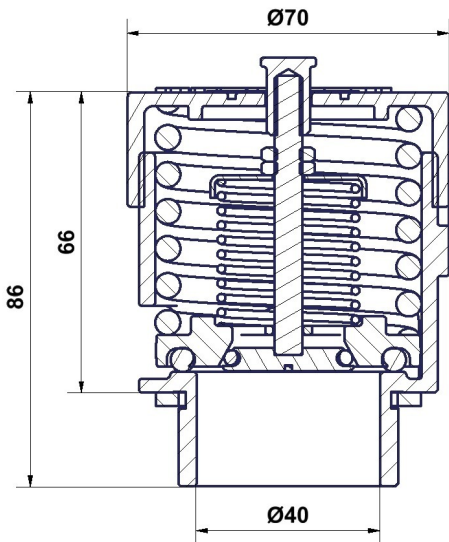
Series VXS4 Pressure & Vacuum Relief Valves

The 1 1/2" YAK VX™ safety relief valve is designed to protect tanks against accidental over-pressure and excessive vacuum.

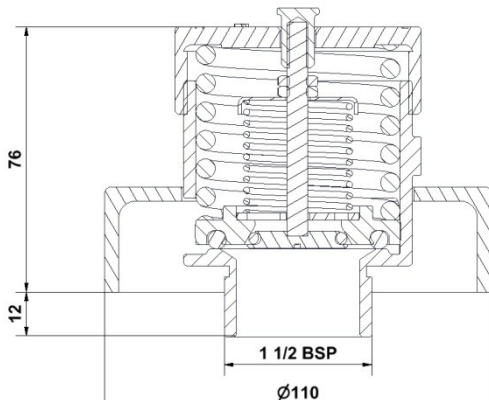
Made of 316L/1.4404 stainless steel, the 1 1/2" YAK VX™ safety relief valve is applicable to road tankers and small containers dedicated to transporting or storing chemicals and liquid foodstuff.



Specifications



- Nominal diameter: 40mm (1 1/2")
- Maximum Weight : 0.850 kg
- Connection: 1 1/2" BSP (available in NPT) or 1 1/4" BSP (available in NPT).
- Standard pressure settings : From 0,10 to 3,75 Bar
- Standard vacuum settings : From 0,02 to 0,50 Bar
- Working temperature: -20°C +150°C



With protection on exhaust

Features

- Full 316L/1.4404 stainless steel construction
- Compact design
- High flow rates
- Comes with test button

Conformity & Certifications

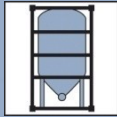
- Comply with ADR 2009
- Conforms PED cat IV CE 0038; Working T°C -20°C/150°C, Fluid Group 1

Options & Accessories

- Construction : 316L, 304L or 904L stainless steel, 355 carbon steel, aluminum or brass.
- NPT threaded connection
- Gauze filter
- Full FEP/SILICON, Full VITON, FEP/SI & VITON, FEP/SI & Nitrile, EPDM, Food, High Temperature O-ring
- PTFE, Perbunan/PTFE and Composite/PTFE setting gasket
- With protection on exhaust



Safety Relief Valve

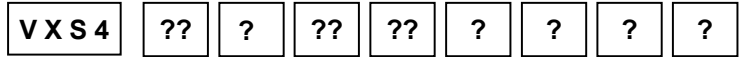


1 1/2" YAK VX™ Dual Safety Relief Valve

Series VXS4 Pressure & Vacuum Relief Valves

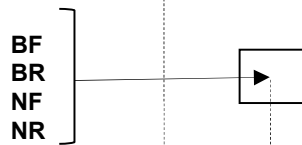
Codification

1- Base code of your YAK VX™ 1.5" SRV



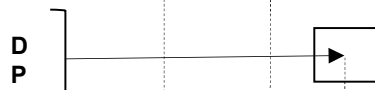
2- Connection

- 1.5" BSP male
- 1.25" BSP mal
- 1.5" NPT male
- 1.25" NPT male



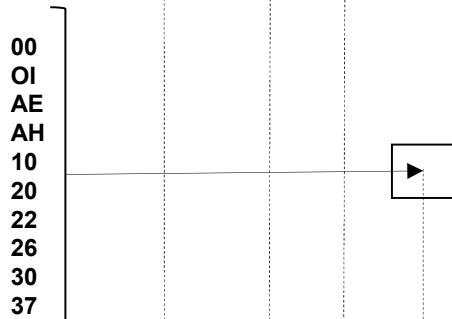
3. Dual or Pressure only

- Pressure & Vacuum
- Pressure only



3. Pressure setting

- None
- +0.09 bar
- +0.15 bar
- +0.18 bar
- +1.00 bar
- +2.00 bar
- +2.20 bar
- +2.67 bar
- +3.00 bar
- +3.75 bar



Other pressure ranges on request

4. Vacuum setting

- 0.02 bar
- 0.05 bar
- 0.10 bar
- 0.21 bar



Other pressure ranges on request

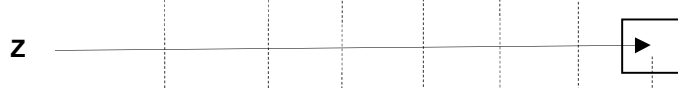
5. Poppet O-ring

- Pressure & vacuum ring in FEP/SILICON
- Pressure & vacuum ring in VITON
- Pressure in FEP encapsulated & vacuum in Viton
- Pressure in FEP encapsulated & vacuum in Nitrile
- Pressure & vacuum ring in EPDM
- Other o'rings on request



6. Setting gasket

- PTFE
- Perbunan/PTFE or Composite/PTFE on request



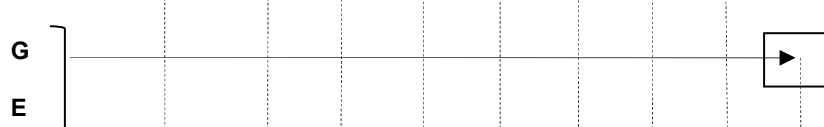
7. Test button

- With

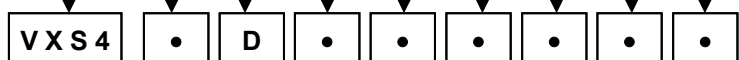


8. Protection (optional)

- With flame proof gauze
- With protection on exhaust



Final code of your YAK VX™ 1.5" SRV



STANDARD PART#



Safety Relief Valve