

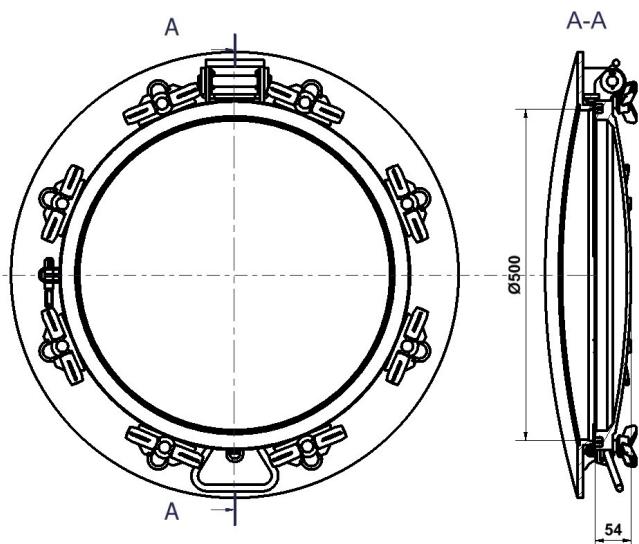
DN 500 MULTIDO™ Manlid 20" Low profile and Standard manlid

The PEROLO DN500 MULTIDO™ manlid is designed to be installed on containers, road tankers and storage tanks intended for chemical and foodstuff liquid products.

This product complies with ADR 2009 and EN 14 025.



Specifications



• Nominal Diameter :	500 mm (20")
• Weight	40kg
• MAWP :	4 Bar
• Test Pressure :	6 Bar
• Designed temperature:	+200°C
• Explosiveness :	11 bar

Approval & Certifications

- Comply with IMDG & ADR.
- Comply with EN 14 025
- Approved by Lloyd's Register

Features

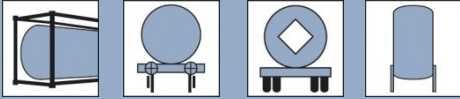
- 316L stainless steel manlid & swingbolts
- Wide range of products for an easy adaptation
- Smooth machined internal surfaces
- Captivate handnuts
- Thread rolled eyebolts
- Trapezoïdal seal groove for a perfect tightness

Options

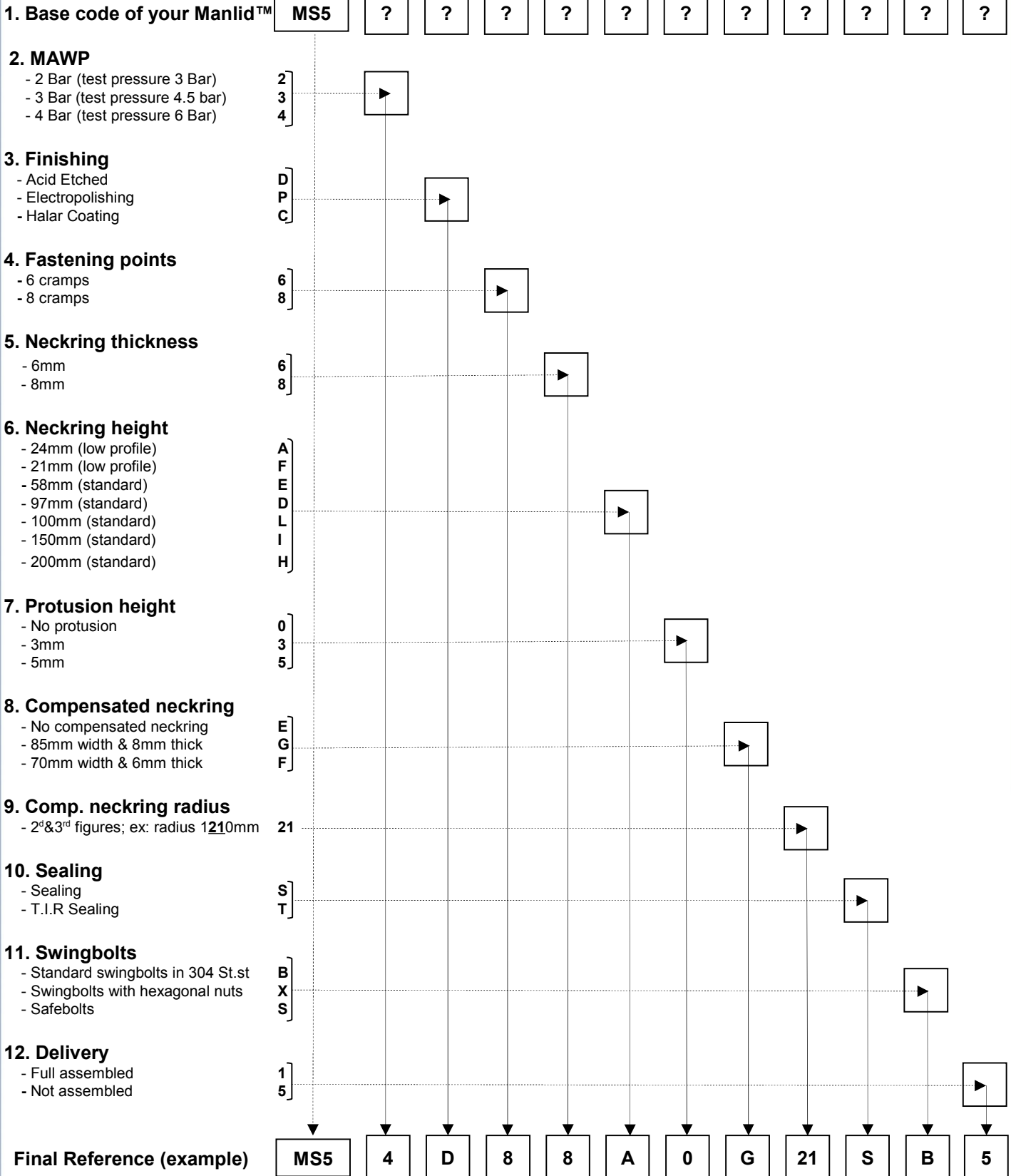
- Material : 316L, 304L or 904L Stainless Steel, S355 carbon Steel
- MAWP : 2, 3 or 4 Bar.
- Number of fastening points : 6, 8, 10 or 14.
- Low profile, neckring height : from 21 to 34mm
- Standard, neckring height : from 36 to 300mm
- Neckring thickness : 6, 8, 10 or 14mm.
- Flush neckring.
- Protusion : from 3 to 6mm or flush neckring
- Radius : from 850 to 1200mm.
- Sealing : Standard or TIR
- Bolts : Standard swingbolts or Safetbolts
- Finishing : Acid Etched, electropolishing or Halar coated

Accessories

- | | |
|----------------------------------|----------------------|
| • 8 points Low profile Coverlid. | Part # CMS54D8SS |
| • 6 points Low profile Coverlid. | Part # CMS53D6SS |
| • 8 points Standard Coverlid. | Part # CMS54D8DS |
| • 6 points Standard Coverlid. | Part # CMS53D6DS |
| • Long eye bolt kit (83mm). | Part#12 93 86 91 00. |
| • Short eye bolt kit (58mm). | Part#12 93 86 92 00. |
| • Gasket PTFE/EPDM 14*14 | Part#11 13 75 00 19. |
| • Hinge kit Stainless steel | Part#12 13 68 91 00. |



Codification



For any specific requests, please feel free to contact our sales department at sales@perolo.com